

## Ergofocus gas Decorative range

Market launch : immediate



### Ergofocus Gas

*When FOCUS launched the Gyrofocus Gas in 2020, it was a patented global innovation. Today, FOCUS has repeated this astonishing accomplishment with the Ergofocus Gas.*

With zero particle emission, the Ergofocus gas meets strict new standards for heating systems. The gas burner is installed inside the iconic shape of the Ergofocus, supplied by a specially adapted duct located in the interior of the flue. The fireplace can be delivered with a burner for natural gas or propane. The model is equipped with a specially designed plate that allows the gas pipe to pass through (see the fireplace configuration on page 3). For the best aesthetic results, the side of the plate with the gas supply should be positioned on the opposite side from the hearth opening. This plate is custom-made and must in each case be defined depending on the specific context. The Ergofocus gas cannot be sold without this plate, which is essential to its design. Every sale must be validated in advance by a technical study of the installation.

The model is delivered with the burner pre-installed: only the ceramic log kit needs to be set up. The fireplace operates with batteries, and the burner is controlled with a remote control (details on page 6). In the gas model, the hearth can only pivot 100°, so it is advisable to orient it accordingly during installation. The distance to respect from combustible materials is just 30 cm, but the fireplace should be at least 50 cm away from picture windows.

This notice presents an overview of the main technical characteristics: please consult the Installation and Users' Manual for more details.

Performance of the Ergofocus gas:

- for natural gas:

\* heat output = from 10.9 to 13.5 kW

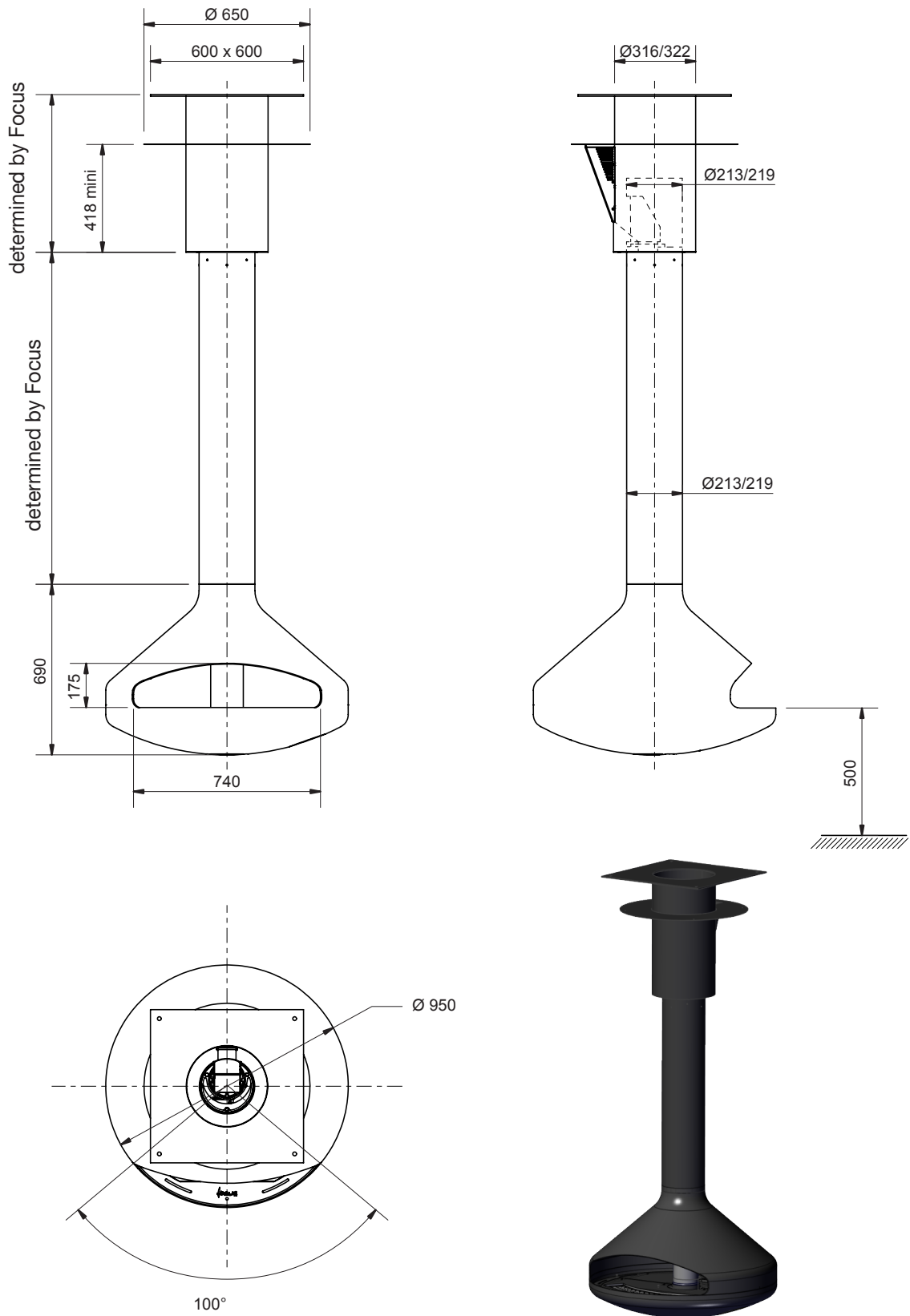
\* fuel consumption = from 1.26 to 1.35 m<sup>3</sup>/hour

- for propane:

\* heat output = 13 kW

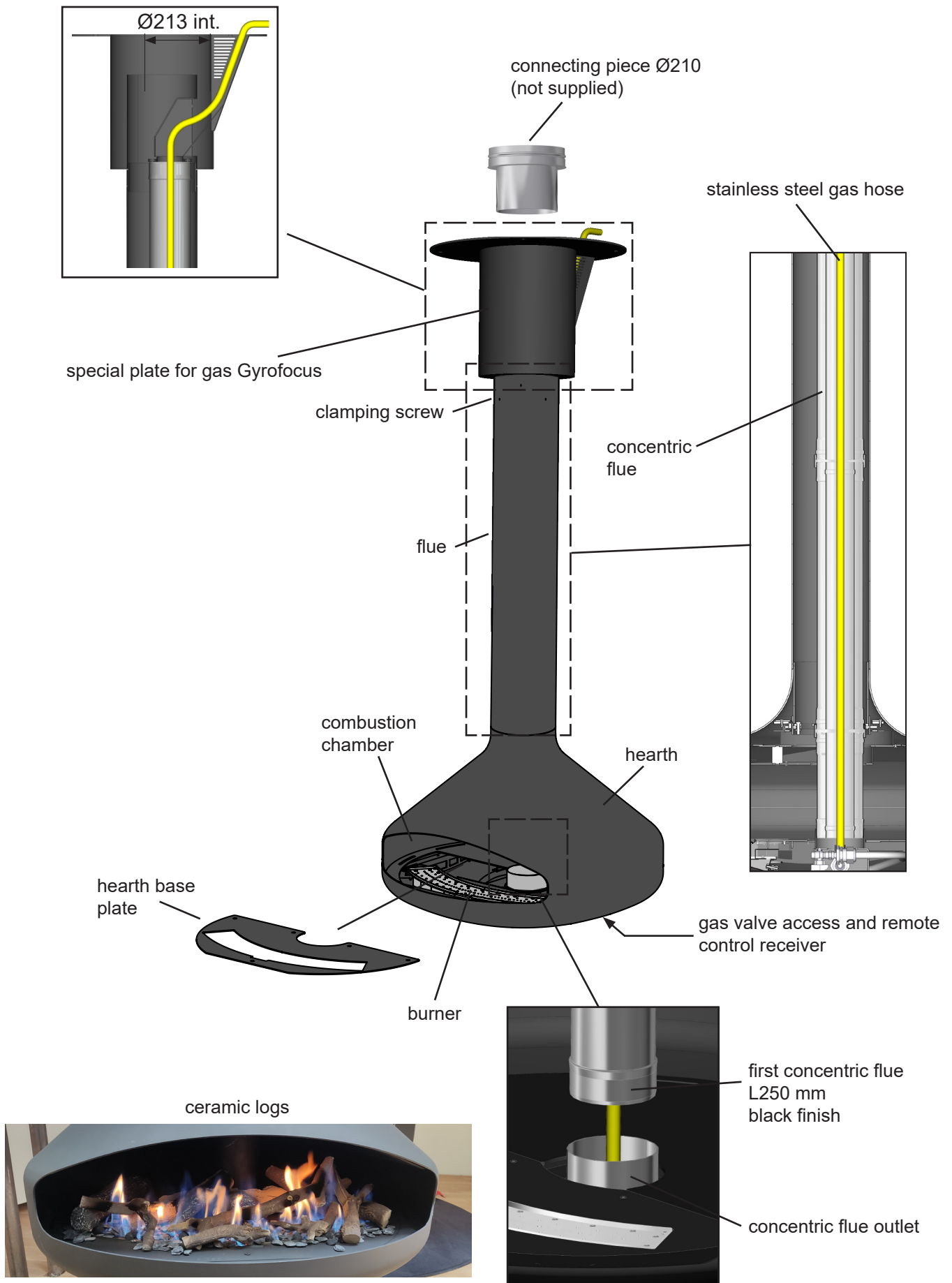
\* fuel consumption = 0.373 m<sup>3</sup>/hour

# Dimensions



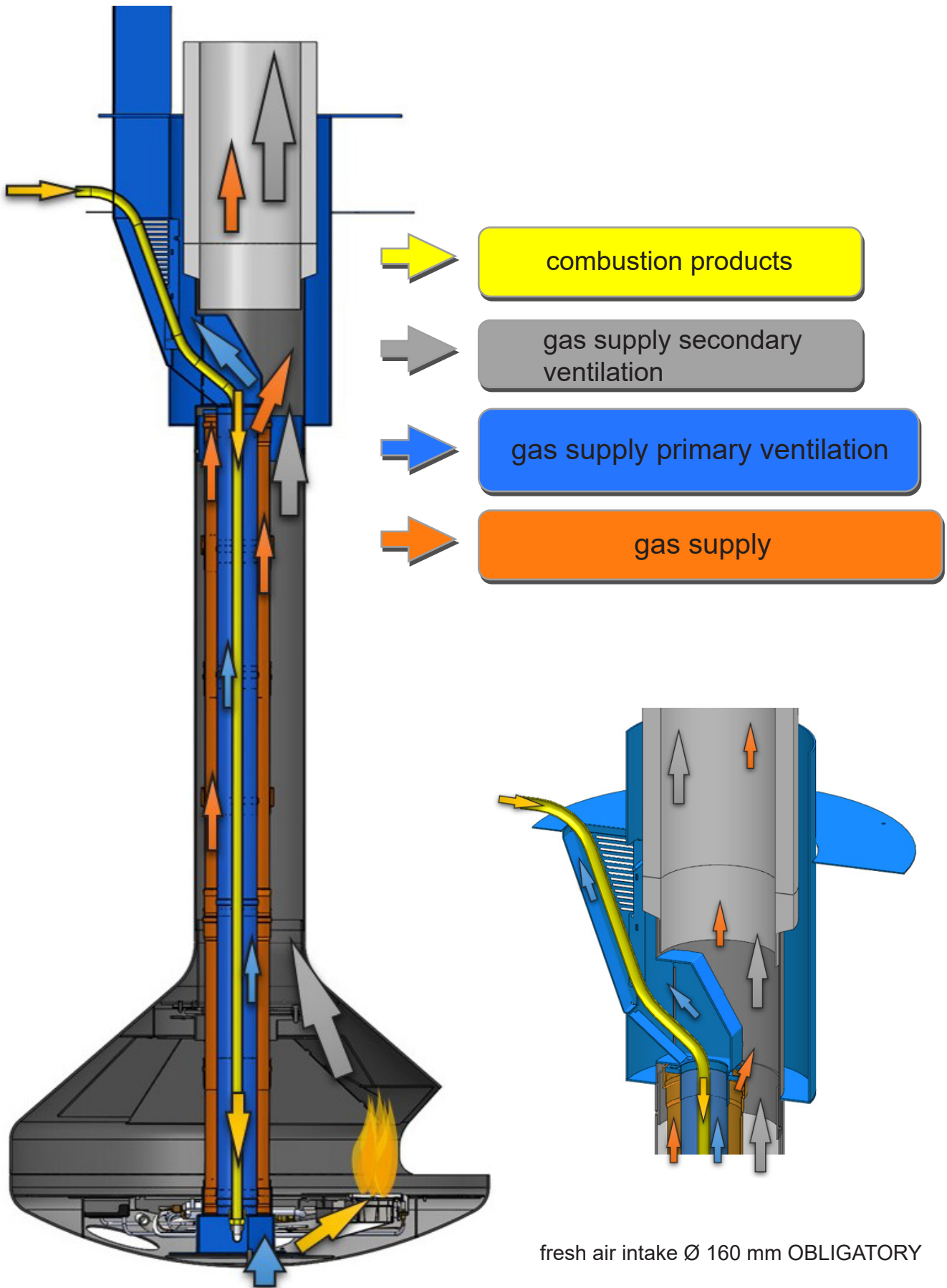
This document is the property of Atelier Dominique Imbert SAS. It contains private and confidential information and is strictly reserved for the use of the Focus partners/dealers it is addressed to. It is strictly prohibited to disclose this document to any third party without our prior authorisation, under penalty of action for damages and prosecution for patent infringement.

# Components of the fire



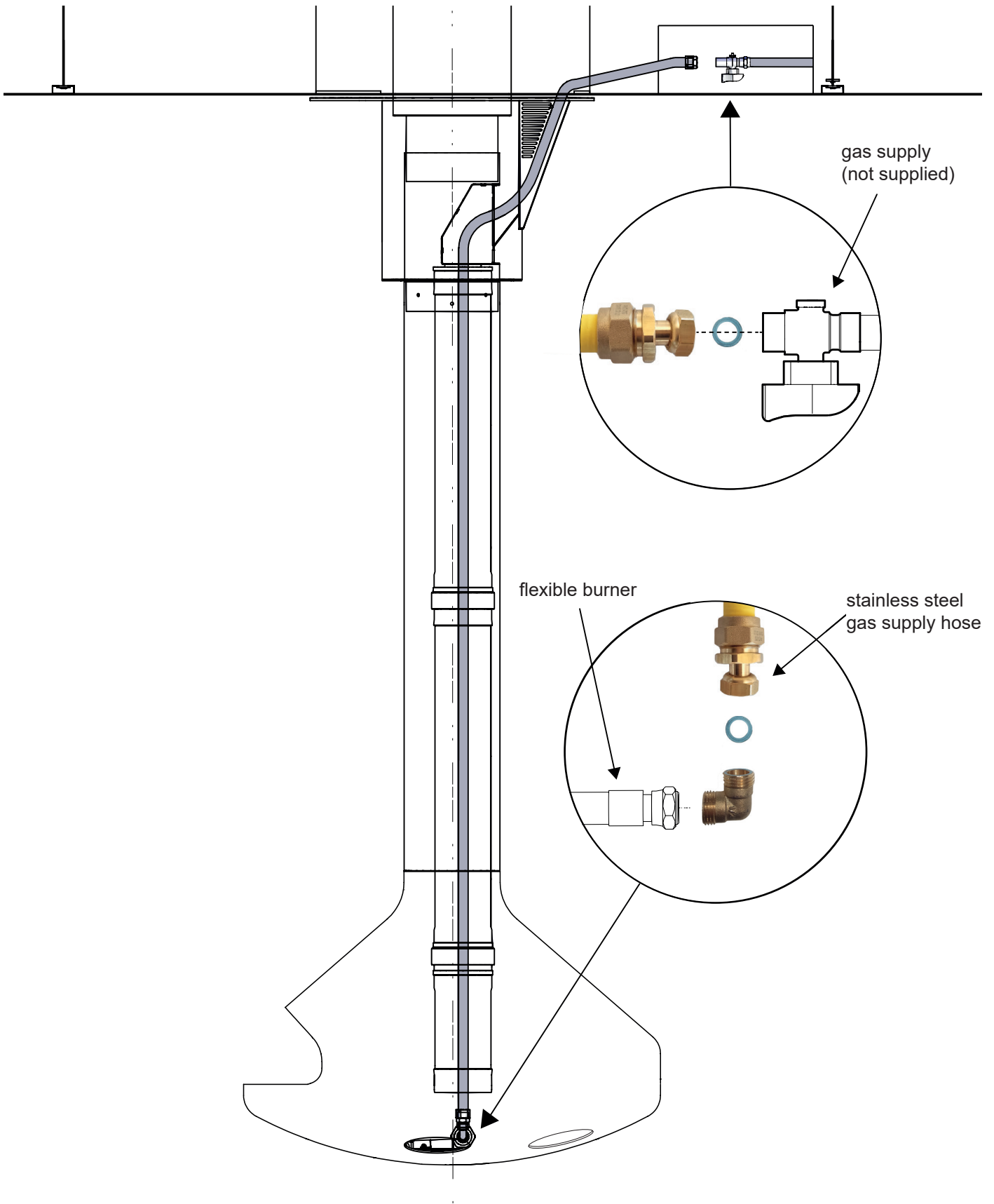
This document is the property of Atelier Dominique Imbert SAS. It contains private and confidential information and is strictly reserved for the use of the Focus partners/dealers it is addressed to. It is strictly prohibited to disclose this document to any third party without our prior authorisation, under penalty of action for damages and prosecution for patent infringement.

# air flow diagram



This document is the property of Atelier Dominique Imbert SAS. It contains private and confidential information and is strictly reserved for the use of the Focus partners/dealers it is addressed to. It is strictly prohibited to disclose this document to any third party without our prior authorisation, under penalty of action for damages and prosecution for patent infringement.

# Gas connection



## Warning: leak test on installation

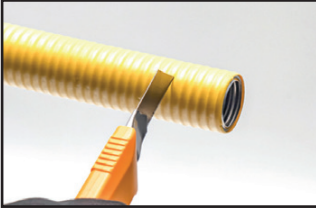
This document is the property of Atelier Dominique Imbert SAS. It contains private and confidential information and is strictly reserved for the use of the Focus partners/dealers it is addressed to. It is strictly prohibited to disclose this document to any third party without our prior authorisation, under penalty of action for damages and prosecution for patent infringement.

# Detail of stainless steel gas supply hose connection

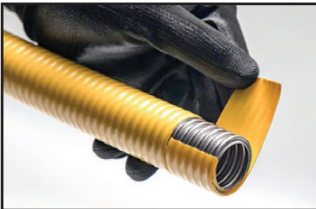
## 1 Detail of PLT stainless steel gas hose connection (BANIDES)



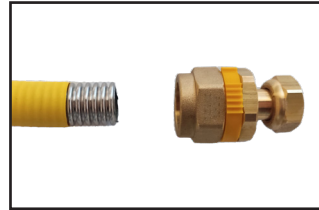
Cut the PLT pipe with a pipe cutter



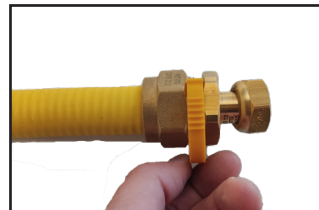
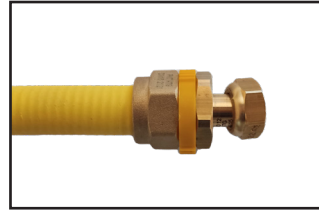
Strip the first 6 waves with a safety knife. It is imperative to respect the number of 6 waves to be stripped.



## 2



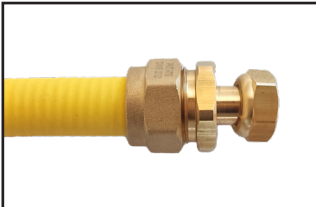
Insert pipe into fitting as far as it will go. Push until the stainless steel part disappears.



Remove the safety ring (yellow) from the fitting.

## 3

n°32



Tighten the nut by hand, then with a wrench. The nuts are tightened as far as they will go (without any play), the body of the fitting remains fixed.



After testing the watertightness of the installation, the protective coating removed during installation or fitting of the BD CONNECT PLT (BANIDES) kit connector must be restored using the adhesive strips.



The self-adhesive silicone protection strip is MANDATORY.

Flash the QR CODE to see the video.



## remote control

The fire is operated by a remote control with the following functionality:

- temperature control (Fahrenheit or Celsius)
- time settings
- child safety settings
- flame height adjustment
- timer
- thermostatic mode
- programme mode
- Eco mode

Batteries for the remote control and the receiver (located in the hearth base) are supplied.



# packaging



external dimensions of the crate in mm: 1050 x 1050 x 1100 height

weight of the crate with the fireplace: 135 kg

weight of the fireplace (without crate): 85 kg

weight of the flue (without packing materials): 16 kg per linear metre



## list of countries where the Ergofocus gas is certified

Country	Natural	LPG
AT -Austria	I2H G20 at 20 mbar	I3B/P G30/G31 at 50 mbar
BE -Belgium	I2E+ G20/G25 at 20/25 mbar	I3+ G30/G31 at 28-30/37 mbar
CH - Switzerland	I2H G20 at 20 mbar	I3+ G30/G31 at 28-30/37 mbar; I3B/P G30/G31 at 50 mbar
CY -Cyprus		I3B/P G30/G31 at 30 mbar
CZ -Czech Republic	I2H, G20 at 20 mbar	I3+ G30/G31 at 28-30/37 mbar; I3B/P G30/G31 at 50 mbar
DE -Germany	I2ELL G20/G25 at 20 mbar; I2E G20 at 20 mbar	I3B/P G30/G31 at 50 mbar
DK -Denmark	I2H G20 at 20 mbar	I3B/P G30/G31 at 30 mbar
EE -Estonia	I2H G20 at 20 mbar	I3B/P G30/G31 at 30 mbar
ES -Spain	I2H G20 at 20 mbar	I3+,G30/G31 at 28-30/37 mbar
FI -Finland	I2H G20 at 20 mbar	I3B/P G30/G31 at 30 mbar
FR -France	I2E+ G20/G25 at 20/25 mbar	I3+ G30/G31 at 28-30/37 mbar; I3B/P G30/G31 at 30 mbar
GB -United Kingdom	I2H G20 at 20 mbar	I3+,G30/G31 at 28-30/37 mbar; I3B/P G30/G31 at 30 mbar
GR -Greece	I2H G20 at 20 mbar	I3+,G30/G31 at 28-30/37 mbar; I3B/P G30/G31 at 30 mbar
HU -Hungary		I3B/P G30/G31 at 30 mbar
HR -Croatia	I2H G20 at 20 mbar	I3B/P G30/G31 at 30 mbar
IE -Ireland	I2H G20 at 20 mbar	I3+ G30/G31 at 28-30/37 mbar
IT -Italy	I2H G20 at 20 mbar	I3+ G30/G31 at 28-30/37 mbar
LT -Lithuania	I2H G20 at 20 mbar	I3B/P G30/G31 at 30 mbar
LU -Luxembourg	I2E G20 at 20 mbar	
LV -Latvia	I2H G20 at 20 mbar	
MT -Malta		I3B/P G30/G31 at 30 mbar
NL -The Netherlands	I2L G25 at 25 mbar	I3B/P G30/G31 at 30 mbar
NO -Norway	I2H G20 at 20 mbar	I3B/P G30/G31 at 30 mbar
PL -Poland	I2E G20 at 20 mbar	
PT -Portugal	I2H G20 at 20 mbar	I3+ G30/G31 at 28-30/37 mbar
RO -Romania	I2E G20 at 20 mbar	I3P G30/G31 at 30 mbar
SE - Sweden	I2H G20 at 20 mbar	I3B/P G30/G31 at 30 mbar
SL -Slovenia	I2H G20 at 20 mbar	I3B/P G30/G31 at 30 mbar
SK -Slovakia	I2H G20 at 20 mbar	I3+ G30/G31 at 28-30/37 mbar; I3B/P G30/G31 at 50 mbar
TR -Turkey	I2H G20 at 20 mbar	I3B/P G30/G31 at 30 mbar

This document is the property of Atelier Dominique Imbert SAS. It contains private and confidential information and is strictly reserved for the use of the Focus partners/dealers it is addressed to. It is strictly prohibited to disclose this document to any third party without our prior authorisation, under penalty of action for damages and prosecution for patent infringement.