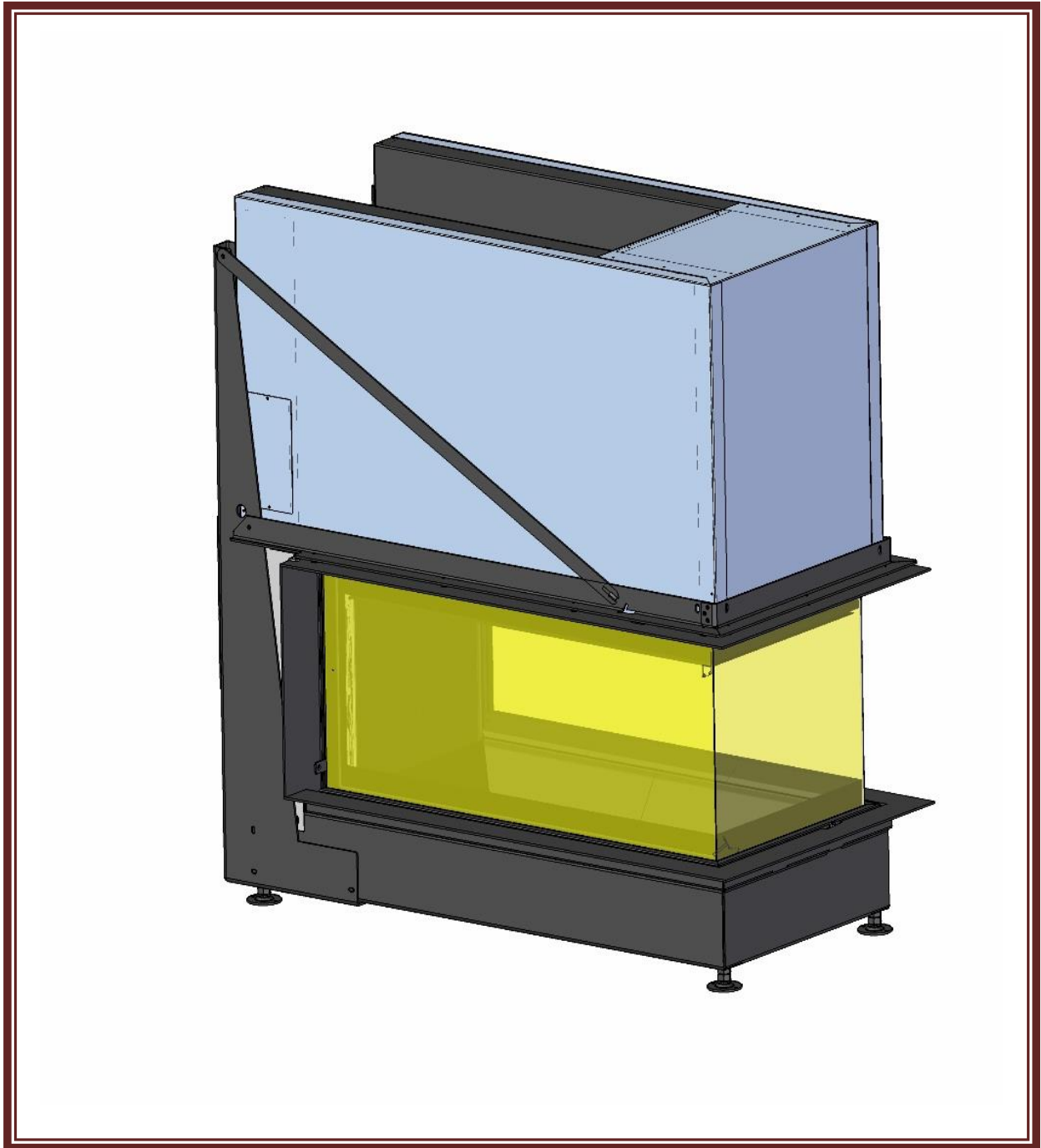


COLLECTION RD 750,1000

INSTRUCTION FOR INSTALLATION AND USE



Attention: THE SUPPLIER TAKES NO RESPONSIBILITY FOR ANY POSSIBLE DAMAGE, POWER LESS WORKING APPLIANCES DUE TO ACCIDENT AS A RESULT OF INCORRECT INSTALLATION.

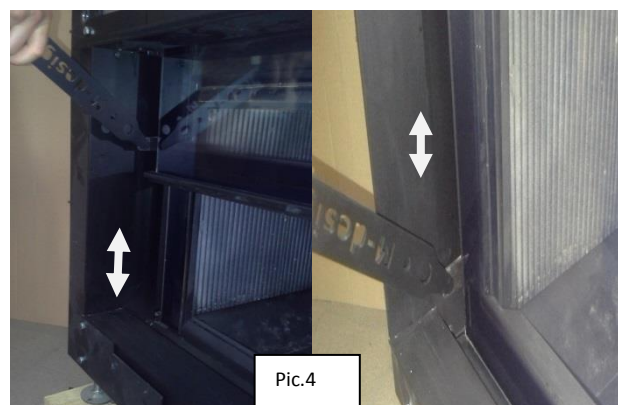
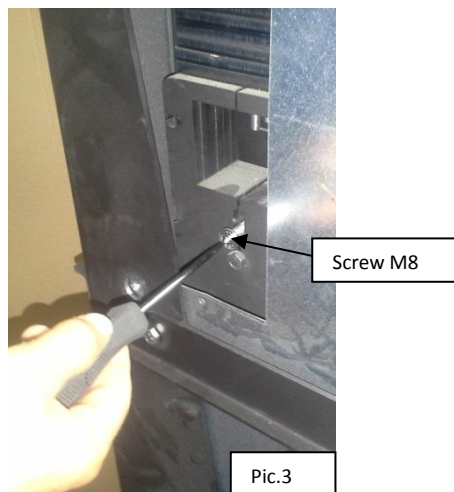
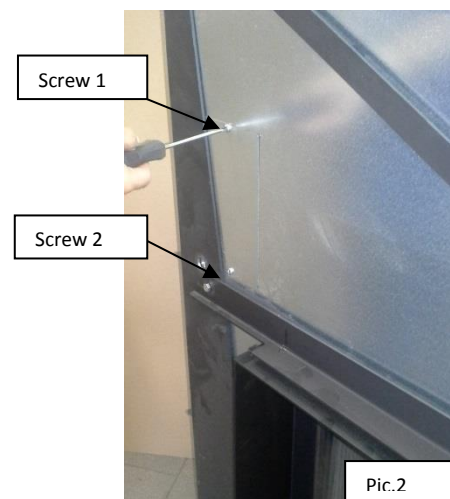
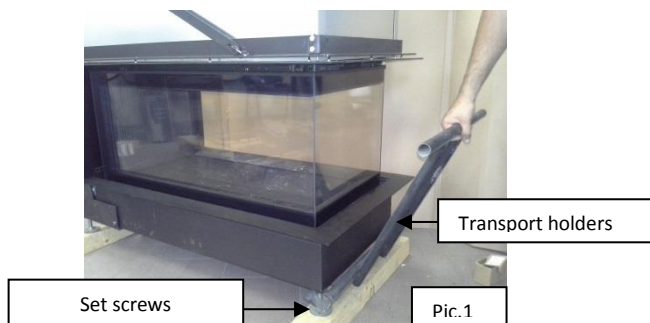
SUMMARY

1	GENERAL	3
1.1	TRANSPORT AND INSTALLATION	3
1.2	FUEL	3
1.2.1	Recommended fuel: wood-hard, soft-damp cca 16%.....	3
1.2.1.1	Optimal operation	4
1.2.2	Forbidden fuel	4
1.3	STARTING THE FIRE.....	4
2	INSTALLATION	4
2.1	INSTALLATION	4
2.2	LIST OF STANDARDS TO BE OBSERVED DURING ASSEMBLY AND OPERARIONS.....	5
2.3	SAFE DISTANCE FIREPLACE STOVES TYPE „RD“ FROM FLAMMABLE MATERIALS, LOCATION OF THE STOVE, SMOKE PIPES ...	5
2.4	LOCATION THE FIREPLACE STOVE TYPE SERIES „RD“ ON THE FLOOR.....	5
2.5	REQUIREMENTS FOR PASSING COMBUSTION AIS	5
2.6	INSTALLATION THE FIREPLACE MODEL SERIES „RD“ ON THE PLACE OF USE	6
2.7	LOCATION FIREPLACE STOVE.....	6
2.8	ISOLATION AND SURROUND.....	6
2.9	VENTILATION	6
2.9.1	Natural convection	6
2.9.2	Hot air distribution	7
2.10	CHIMNEY	7
3	CONTROL-REGULATION	8
4	GENERAL RECOMMENDATIONS	8
4.1	MAINTANCE	9
4.1.1	Cleaning glass	9
5	SECURITY CONDITIONS	9
6	SUPPLIED ACESORIES	10
7	SIGN	11
8	TECHNICAL DRAWINGS RD 750	12
9	TECHNICAL DRAWINGS RD 1000	13
10	GUARANTEE	14
10.1	TERMS AND ITEMS COVERED	14
10.2	GUARRANTY CONDITIONS.....	14

1 GENERAL

1.1 TRANSPORT AND INSTALLATION

- The LUNA RD is transported in a horizontal position or if there are some problems – in angle-wise 45°.
- To make transport easier you can use a set of transport holders.
- The transport holders fix to the correct position behind the set screws of the stove. /Pic.1/.
- **The steps for unlocking of the door :** Unscrew screws 1 and 2 /Pic.2/
Behind the cover are placed screws M8, which is needed to unscrew. /see Pic.3/ after unscrewing the screws M8 is necessary to screw cover back with screw 1 and 2. /Pic.2/
For security reasons, the door is locked from both left and right site!
- Before installation of the stove, please check lifting door – lifting up/down and opening /see Pic.4/



1.2 FUEL

1.2.1 Recommended fuel: Wood-hard, soft-damp cca.16%

The quality of the wood is extremely important for the optimal function of the stove /output, clear glass, etc.../. The ideal is to use dried wood with moisture content 12% to 18%. Damp wood gives off less heat, clogs the chimney and the glass of the fireplace's door. You can also use briquettes and it is better to use them in combination with wood.

1.2.1.1 Optimal operation

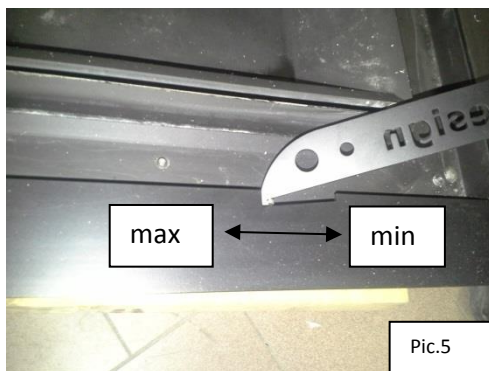
Optimal use of fuel and optimal operation of the stove reach loading cca.3,5kg of the wood per hour (3pieces cca.50cm long), lying horizontal on the raft in the middle of the combustion room. The chimney effect 12-15Pa and the regulator supply air open 30%.

1.2.2 Forbidden fuel

The use of treated wood /painted, etc./ and all types of household waste, which can disperse hazardous gases, is FORBIDDEN and CANCELS OUT ANY CLAIM ON THE GUARANTEE. The use of fluid fuel /petrol, etc. / is also FORBIDDEN.

1.3 STARTING THE FIRE

- Regulation at maximum /see Pic.5/
- Open the door /Pic.4 /.
- Put a bed of tinder (paper or firelighters) with a little kindling (small twigs or pieces of wood) in the stove and light the tinder. Let the door a little open /+3cm/, so as chimney effect arose, which helps the kindling start the fire.
- After the kindling has caught fire and burns well, the logs maybe placed on the fire. When the logs are burning, the door can be closed.



NOTE: When a fire is made for the first time, the paint will harden and that give off smoke and a smell, which starts after the fire has burned for about 10 minutes and lasts for about 15 minutes. See to it that there is ample ventilation in the room. The combustion chamber should be kept closed except for fuelling to prevent entry of gases into the room.

CAUTION:

It is not necessary to overload the fireplace with wood. 1kg dried wood gives a 4kW power.

Example: a fireplace with 80% return gives a power for about 3,2kW for 1kg dry wood. If you want a power about 6-7kW, it is just enough to put 2kg wood in the fireplace. This is like two normal pieces of wood. We are not responsible for the wrong use of fireplace and any consequence for not following this guideline. External surfaces of the stove are hot during operation, which has to be paid due attention to avoid an accident burns.

2 INSTALLATION

2.1 INSTALLATION

For your own safety and satisfaction, we advise you to entrust specialist with the installation. **The appliance has to be installed according to certain prescribes rules and local regulations.** The device must be built in an area with an adequate capacity, on the board, which can spread the weight of the device. The device

must be positioned so as to maintain the safety distance from any flammable materials that could not fire. However, if you decide to carry out the work on your own, we advise you to do the following:

- Refer to the terms and conditions of our contract of guarantee
- Ask your supplier for advice.

2.2 LIST OF STANDARDS TO BE OBSERVED DURING ASSEMBLY AND OPERATIONS

The fireplace type „RD“ complies with STN EN 13229. For installation and operation of the fireplace type „RD“ should proceed in accordance with STN 92 0300 „Local fire safety appliances and heat sources“ and STN 73 4201 „The design of chimneys and flues“.

2.3 SAFE DISTANCE FIREPLACE STOVES TYPE „RD“ FROM FLAMMABLE MATERIALS, LOCATION OF THE STOVE AND SMOKE PIPES

Fireplace type series „RD“ must be installed in accordance with Decree MV SR No. 95/2004 statute, coll establishing specifications and requirements for fire safety during installations and operation of heating appliances, electro thermal appliances and central heating installations and the constructions and use of chimneys and flues. It is also necessary to respect the STN 73 4210 „Running of the chimneys and flues and connecting fuel appliances“. The manufacturer recommends the installation of the fireplace furnace type series „RD“ conducted by qualified Professional who is responsible for the material used for installation. The manufacturer is responsible for the delivered product.

When installing the fireplace type series „RD“ must be complied with 1000 mm safety clearance from combustible materials

The fireplace type series „RD“ must be installed so that before it left space on the layout, about 1x1 m.

Basis respectively base under fireplace type series „RD“ must be straight fire material and must withstand heat stress. Also, wall and ceiling material, which the fireplace type series „RD“ may not be from combustible materials, respectively should be used for good thermal insulation.

Combustion pipe must be fitted to the fireplace chimney`s mouthpiece furnace type series „RD“ so that it is firmly and tightly connected.

The combustion pipe might be of black respectively stainless steel pipes and elbows. The flue connection must be made by the shortest route to the flue by STN 73 4210. The combustion pipe should be implemented and consolidate in order to be released accidentally or spontaneously. Pipes that are plugged into each other should be inserted in the direction of flow of exhaust gases. Where the flue passes through building structure, which contains flammable materials or surface modified flammable materials should be insulated to protect the crossing design and implement in accordance with Decree MV SR No. 95/2004 statute.

Connection the combustion pipe of the furnace type series „RD“ can only be the chimney, which has been expertly tested. Based on expert examination of the appliance flue connection and issue a professionally qualified person „Certificate examination on implementation of the chimney, where a professionally qualified person to deliver state of the chimney and flue for their safe and reliable operation.

2.4 LOCATION THE FIREPLACE STOVE TYPE SERIES „RD“ ON THE FLOOR

In the place of installation fireplace insert type series „RD“ on the floor must be ensured a minimum floor load 1000 kg.m⁻². The floor before the fireplace insert type series „RD“ must be fire-resistant material at a distance of at least 1000 mm from front wall of the fireplace insert type series „RD“.

2.5 REQUIREMENTS FOR PASSING COMBUSTION AIS

The fireplace furnace type series „RD“ can be placed directly in the heated respectively outside the heated space. The combustion of fuel used airs from the area where the fireplace furnace is, or it is possible to transport external admission of air and connect it according to the point 2.7. In case of insufficient ventilation of

this area is necessary to ensure sufficient fresh air.

2.6 INSTALLATION THE FIREPLACE MODEL SERIES „RD“ ON THE PLACE OF USE

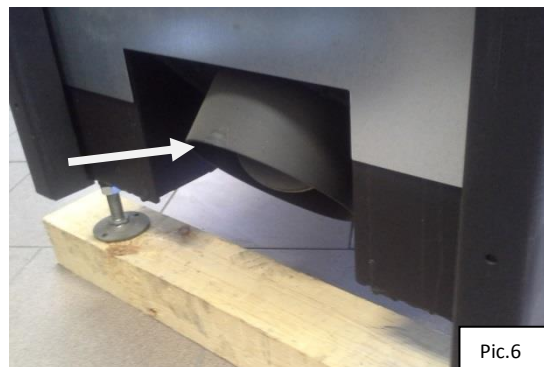
Fireplace type series "LUNA HC" is installed in the heated or outside of heated space.

For the location of the fireplace insert type series "RD" in the heated space, the operator must decide whether to implement the distribution of heated air or not. If the operator decides that yes, it is necessary to ensure the distribution of heated air from the space garnishment fireplace insert type series "RD", but in this case will not be so intense airflow. If the operator decides that no heated air is to be exported from the area Converted fireplace insert with hot air diffusers, in order to ensure air circulation.

2.7 LOCATION OF THE FIREPLACE STOVE

FIREPLACE INSERT SHOULD NOT BE LAID ON THE FLOOR DUE TO THE NATURAL FLOW OF AIR. MINIMUM DOSTANCE BETWEEN THE FLOOR AND THE STOVE IS 2 CM.

AIR-INLET OPEN/ ALSO FOR EXTERNAL AIR INLET/ IS LOCATED AT THE BACK SIDE DOWN OF THE FIREPLACE STOVE. /SEE PIC.6/



Setting up the high of fireplace insert can be in two ways:

- 1 - to do a special higher floor or to use steel construction
- 2 - soft setting with a set screw M16 cca.50mm /see Pic.1/

2.8 ISOLATION AND SURROUND

FOLLOW THESE INSTRUCTIONS. IF YOU DO NOT FOLLOW THE INSTRUCTIONS QUIPMENT MAY OVERHEAT.

Once the installation is completed, the stove can be surrounded. If everything was checked, it is possible to do final insulating and finishing work. Make sure the device is not put too tight and that there is adequate space for the flow of hot air. We suggest that you use for insulation insulating plates the thermal resistance of more than 400 C. It is forbidden to use flammable materials like insulation materials. Very important point from installation is the distance, which have to be between fireplaces and building materials such as marble... **min 5 mm**. This expansion space is used to compensate for thermal expansion of the fireplace insert body and its parts on heating and cooling.

2.9 VENTILATION

2.9.1 Natural convection

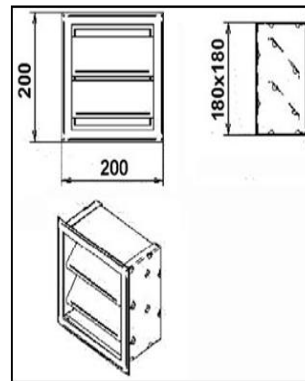
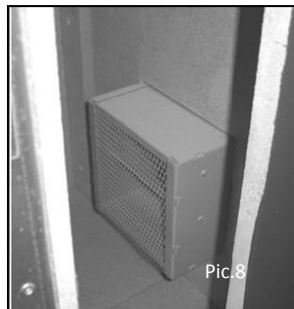
Fireplace should be located at least 20 mm above the floor / when it is placed on the floor / so as to permit from bottom of the natural inlet of air. For sufficient circulation of heated air must be ensured that surround has hole from the bottom with at least 4dm^2 , excluding dust filter, or if including filter 6dm^2 .

2.9.2 The hot-air distribution

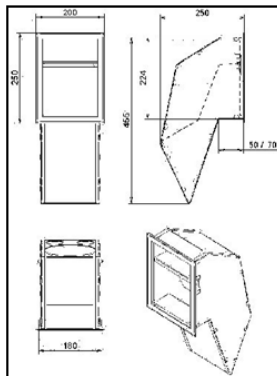
The heat-insulated pipes are essential for optimal functioning of the device. (Causing air flow - move) Using a larger number of tubes (minimum 2) is better traction and noise caused by a stroke is reduced. The installation of these tubes is best to keep them upright for at least one meter up then change direction, rather to do a wide bend and the design grill with less resistance to air flow, because the lower velocity means lower efficiency heat register. We recommend that you use the design grill M-design, which have many advantages / Pic.7, 8 /.

NOTE: The circulation of hot air is required to be in the room because of the reason to do not produce any vacuum. Grill under, close to the floor, inlet cold air /Pic.8/. Do not connect it through a tube. Air itself will find a way to get to the right place. If possible, mount all the accessories using the same shape and angles, otherwise it may happen that one design grill can make much more heat than others. The hot-air distributions work on a similar principle as the chimney, one that is warm as the first, has the biggest blast, and therefore becomes warm much faster. Design grills should be placed to be protected from blocking by another subject.

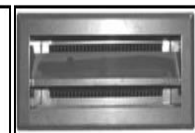
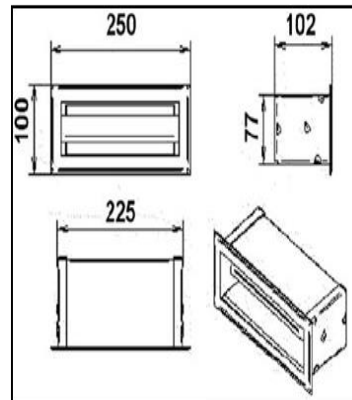
Design grills /Pic.7/ provide two connections. To simplify installation, you can use the angle profile, which is bundled to the grid. This profile is mounted on the inside of the design grill.



**Inlet Design
Grill/Grid
 $S=4\text{dm}^2$**



Outlet design grill/ grid



**Inlet Design
Grill/Grid
 $S=2\text{dm}^2$**

2.10 CHIMNEY

The design of the chimney must deal with strict conditions:

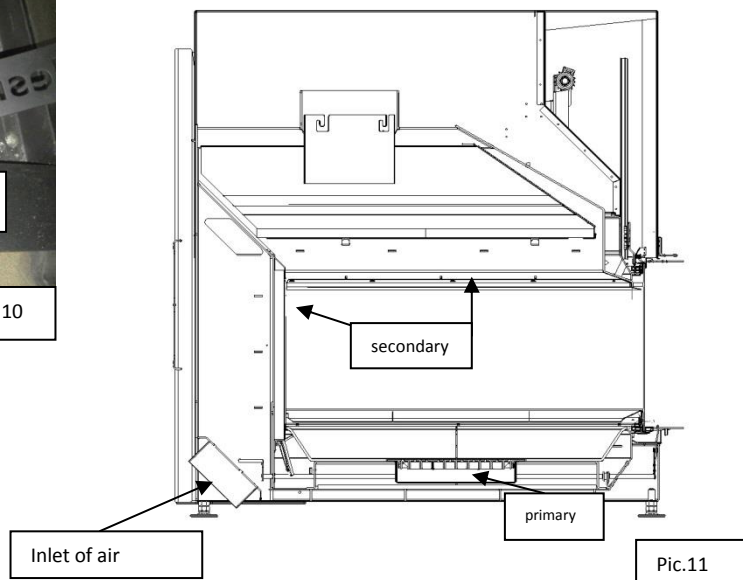
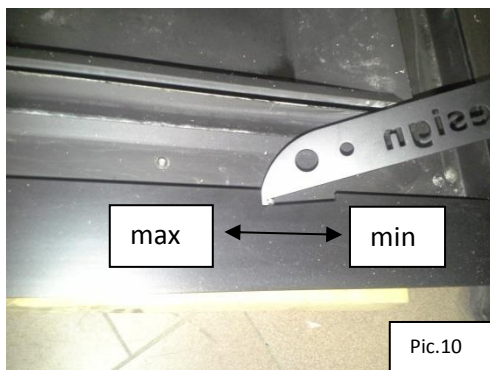
- The chimney must be insulated.
- One stack may have more than two changes of direction. The angle of this change of direction must be greater than 30° - 45° from the vertical direction.
- Must be taken into consideration the existing barriers in the vicinity of the hole in the chimney.
- Do not connect more than one fireplace. Use unused seals.

All fireplaces are standard LUNA HC chimney diameter 200 mm. Some chimneys may require different standard diameters. In this case, refer to the table for the height of the chimney and by reducing the possibility of reduction. Chimney fireplace insert LUNA HC can connect from the top / Pic.9 /.



3 CONTROL - REGULATION

Regulation of inlet of air for fireplace „RD“ is controlled by regulation on the front bar /see pic.10/ by using of key as you can see bellow /Pic.10/. This regulation influences inlet of primary and secondary air inside the combustion chamber of fireplaces/Pic.11/. When the door of the fireplace is open, regulation cannot influence burning.



4 GENERAL RECOMMENDATIONS

The device must be connected and tested before there is done the surround. To make sure the equipment is working optimally. Do not place flammable materials in close distance of the fireplace stove. **Note:** If you leave the door open, a small piece of burning wood / carbon / may fall to the floor. **Insulation materials:** it is preferable to use high temperature resistant materials. It is very advantageous position for connecting of the chimney and fireplace in the direction that no moisture or water can get inside. Moisture and water can cause that chamoflex swells and then bursts after the fire starts.

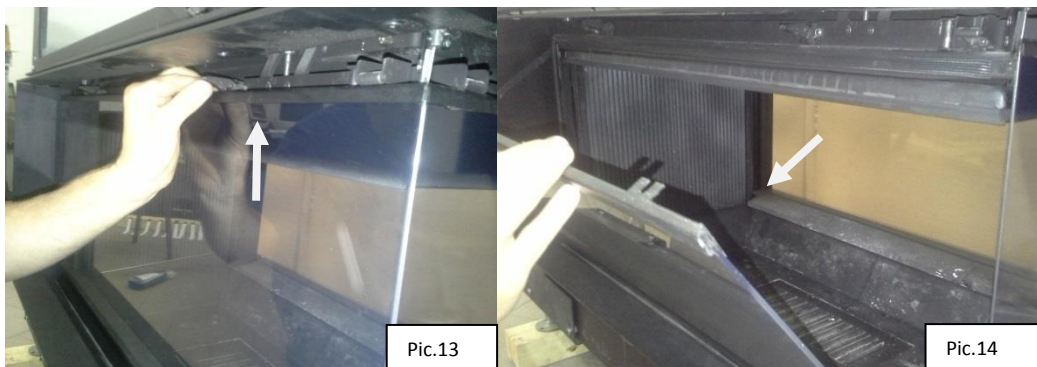
4.1 MAINTANCE

- In addition to regular cleaning of glass, must be your chimney at least once a year sweep to insert optimal function. / It's not just a legal requirement, but it also makes sense for your own safety /.
- Refractory bricks / babble / may still work perfectly, even if they are cracked. However, if there are missing pieces of bricks/material, bricks must be replaced in order to effectively protect the combustion chamber.
- To remove the ash residue use the ash holder /see Pic.12/



4.1.1 CLEANING GLASS

- Close the door / see Pic.4/
- Unlock the door /Pic.13/ move the door towards yourself /according the Pic.14/
- The glass can be now cleaned
- We recommend the cleaning product that you can use the M-design „Bio – Clean“, which is available from your supplier. This is one of the few products that do not damage paint.
- If you use the fireplace often, it should be lightly brushed with a mechanism for keeping the door stabile silicone oil. Do not use any other types of lubrication or oil. This lubrication is non-stick base and is also available from dealers M-design. The mechanism may otherwise be dry and slider door locks.



5 SECURITY CONDITIONS

In operating the fireplace stove type series "RD" is necessary to observe the following precautions:

- The fireplace furnace type series "RD" can use only an adult.
- At a distance of 1000 mm in front of the fireplace stove type series "RD" do not place flammable objects and materials.
- The Fireplace type series "RD" shall not be operated under conditions in which can occur fire or explosion.
- Comply with general binding fire regulations.
- While operating the fireplace stoves type series "RD" rises to the surface of the walls to high temperature. Therefore is prohibited touch the walls during the operation, to prevent burning.
- While operating the fireplace stoves type series "RD" rises to the surface of high temperature controls, therefore is necessary to use the drivers with gloves or protective auxiliary tools, to protect against burns. They are including with delivery of fireplace stove type series "RD".
- During operating the fireplace stove type series „RD“ is forbidden – give the hand into the flow of heated air because of the security reasons, there is too high temperature.
- Fire in the fireplace stove type series "RD" never extinguishes with water.
- The space where it is located fireplace stove type series "RD" must be ensured with adequate air inlet for combustion of fuel.
- Loading doors must be always closed while the fireplace stove type series "RD" is in use, except refueling and placing unit in service.
- There are not allowed any interference with the fireplace stove type series "RD" that could endanger the safe operation.
- To ignition of fuel in the stove is not permitted to use flammable liquids.
- If any problems with the operation of the fireplace stove type series "RD" occurs, the authorized supplier or manufacturer has to be called.
- For refuelling the fireplace stove type series "RD" use gloves with sufficient protective property from excessive heat.

6 SUPPLIED ACCESSORIES

- Door key 1pcs
- Operating instructions, guarantee and certificate of quality and completeness of the product

Warning!!!

For correct and safe using of the fireplace stoves type series „RD“ is imperative to observe the operating instructions and installation!!!

7 SIGN

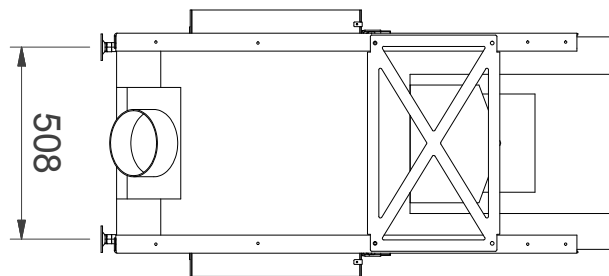
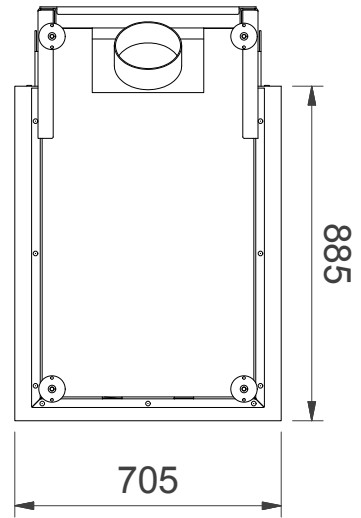
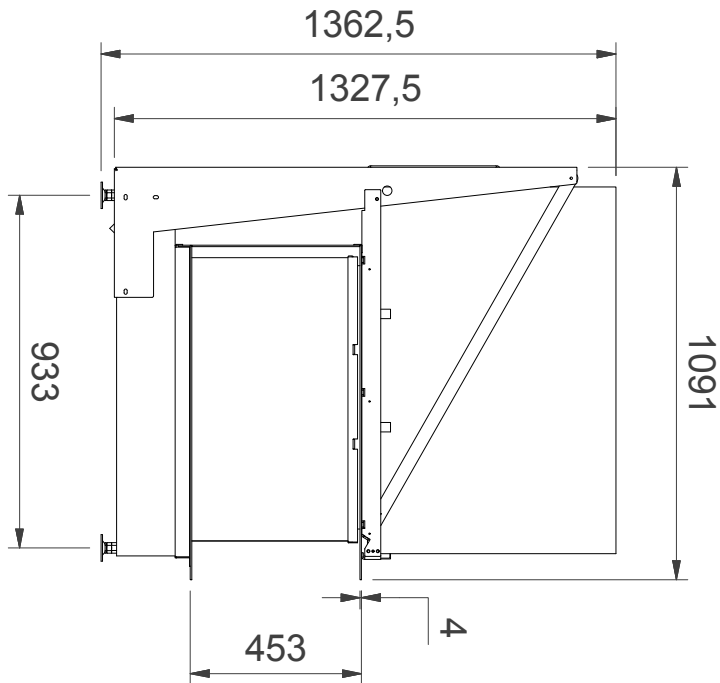
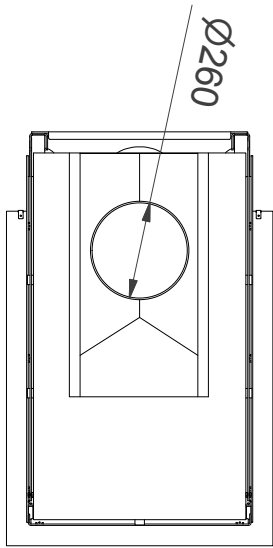
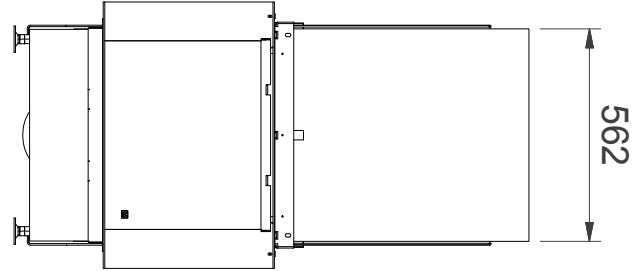
Identification of fireplace stoves „RD“ is following:

- manufacturer : HT design, s.r.o., 01318 Podhorie 71, Slovensko
- type : „RD “,
- usable power range: 10 kW
- heat flow into the space: 10 kW
- standard : STN EN 13229
- follow installation and user guide
- the stove can be connected to a common chimney
- use only recommended fuels
- the appliance is designed for: short-term operation
- serial number /see Pic.15/

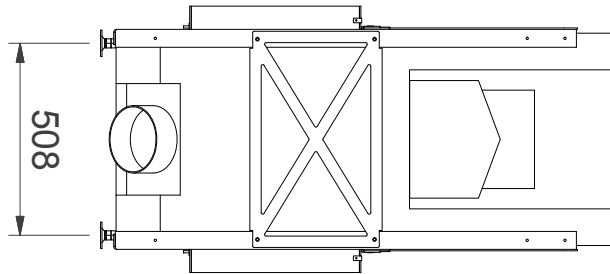
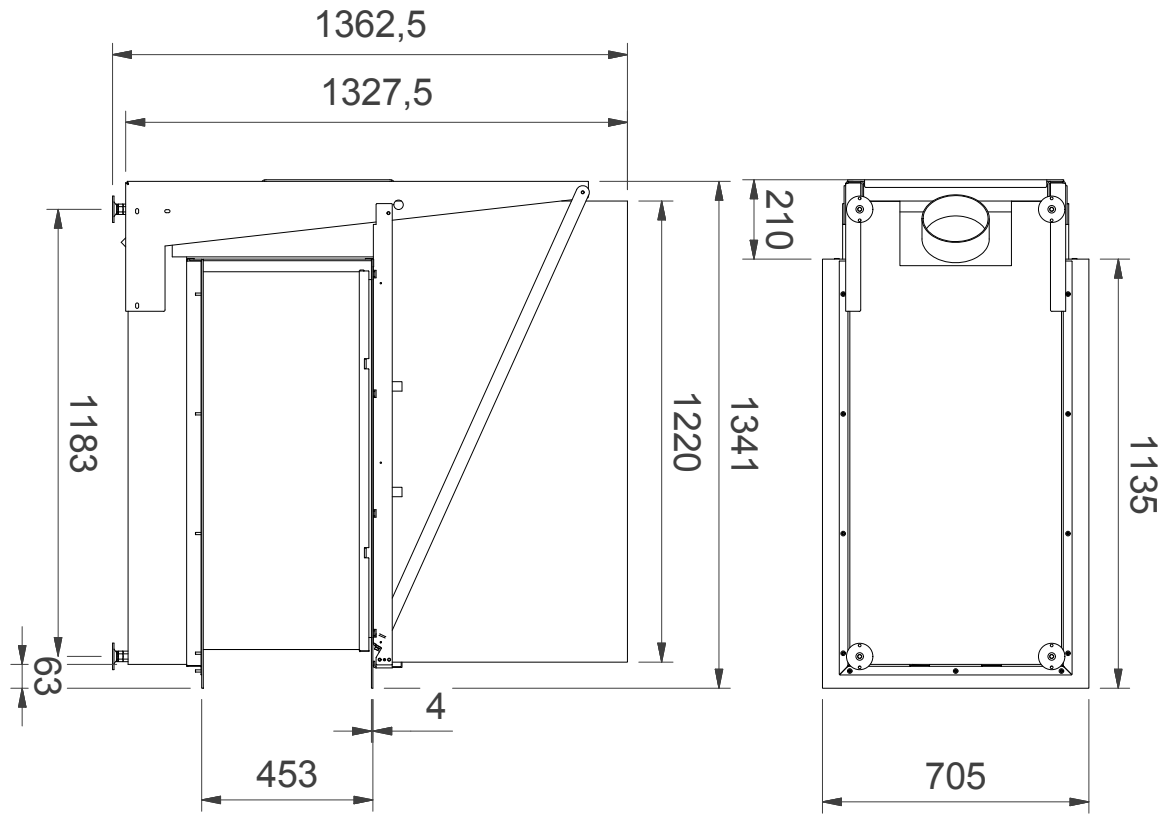
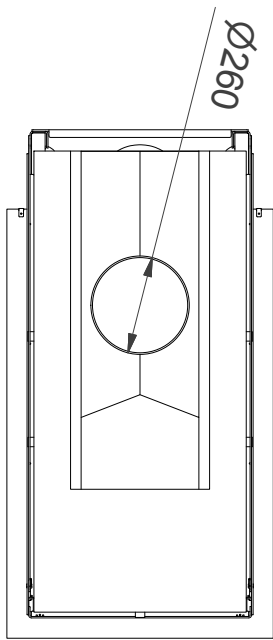
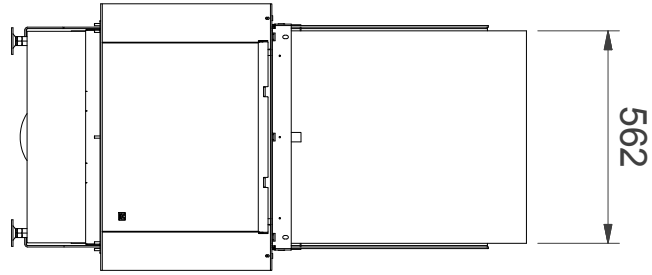


TYPE- fireplace stove RD	RD 750	RD 1000
Rated thermal power (kW)	14,7	15,7
Average efficiency (%)	82	82
Heat flow into the space (kW)	14,7	15,7
Power range (kW)	4,2-15	5,2-16
Flue gas temperature at rated output (°C)	176,2	176,2
Avg. CO concentration at 13% O2 (%)	0,1	0,1
The average volume concentration of CO at 13% O2 (mg.m-3)	1219	1219
Minimum blast (Pa)	12	12
The weight of the fireplace furnace (kg)	330	380
Minimum distance from flammable materials from the flanks and rear of (mm)	300	300
Minimum distance from flammable materials from the front (mm)	1000	1000
Fuel loading interval (hour)	1	1
Recommended fuel – dry wood	Beech, oak, spruce	
Consumption of fuel at usable power range(kg/h)	3,2	3,5

750 RD



1000 RD



10. GUARANTEE

This page is your warranty card.

The guarantee is only valid for faults caused by construction defects or defects in the parts used to build the appliance

10.1. TERMS AND ITEMS COVERED

- 8 years` guarantee on the general structure
- 2 years` guarantee on the parts
- No guarantee on glass, seals and lining the combustion chamber

10.2. GUARRANTY CONDITIONS

Caution: The following items are always excluded from the guarantee:

The glass, door, joints and internal decor.

The defects which occur are fully or partially a consequence of:

- Non respect of the order, installation and maintenance instructions
- Assembly, installation or repair by a third-party, including the buyer
- Heat cracks which normally occur in the mantel
- In cases where changes have been made to the appliance without our consent
- In cases where the buyer cannot show his/her warranty card with the purchase invoice.

Likewise where the guarantee and/or the invoice show(s) signs of tampering or forgery (crossed out date, legible, modifications).

In the case you would like to make use of the manufacturer's warranty, you should contact your reseller in the first instance. Please take good care of your purchase invoice and warranty card and store them in a safe place.

Your serial number

.....

Date of sale

Seller:.....

Contact the manufacturer:
M-Design Torhoutsesteenweg 222a
8210 Zedelgem
Belgium
<http://www.m-design.be>
e-mail: info@m-design.be

